

VÁLVULAS • VALVES • VALVOLE

VÁLVULA ANTIRETORNO NON-RETURN VALVE VALVOLA ANTIRITORNO

Fabricada en plástico anticorrosión.

Polypropilene with a built-in rubber flapper.

Fabbricata in plastica anticorrosione.

REF			
GS20063	25 - 32 - 38 mm	1	
GS20064	13 - 20 - 26 mm	1	
GS20065	25 - 38 mm	1	

GOLDENSHIP

GS20063
GS20064



GS20065

Fabricada en plástico anticorrosión.

Polypropilene with a built-in rubber flapper.

Fabbricata in plastica anticorrosione.

REF			
THILS-750	19 mm 3/4"	1	
THILS-1200	29 mm 1 1/8"	1	
THILS-1500	38 mm 1 1/2"	1	

TH
MARINE



THILS-750

THILS-1500

THILS-1200

VÁLVULA 2 Y 3 VÍAS Y VALVE VALVOLA A 2 E 3 USCITE Y

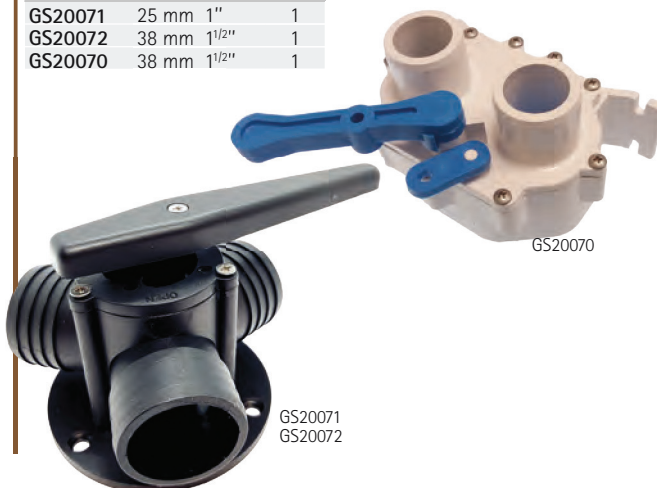
Fabricado en nylon de alta resistencia. Para instalaciones de achique, inodoros, depósitos de agua, etc.

Made of strong nylon for installations in bilges, water tanks, toilets, etc.

In nylon di alta resistenza. Da installare nelle sentine etc.

REF			
GS20071	25 mm 1"	1	
GS20072	38 mm 1 1/2"	1	
GS20070	38 mm 1 1/2"	1	

GOLDENSHIP



GS20070

GS20071
GS20072

VÁLVULA ANTISIFON VENTED LOOP SIFONE

Para instalaciones inodoros y bombas bajo la línea de flotación. Fabricada en nylon color negro.

For toilets and pumps installed below waterline. Made of reinforced plastic.

Da montare quando il WC è installato sotto la linea di galleggiamento. In nylon nero.

REF			
GS50030	19 mm 3/4"	1	
GS50032	25 mm 1"	1	
GS50031	38 mm 1 1/2"	1	

GOLDENSHIP



VÁLVULA DE BOLA BALL VALVE VALVOLA A SFERA

Fabricado en Bronce Naval

Made in naval Bronze.

In Bronzo navale

MAESTRINI

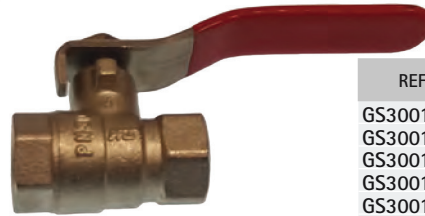


REF			
GS30689	1/4"	1	
GS30690	3/8"	1	
GS30691	1/2"	1	
GS30692	3/4"	1	
GS30693	1"	1	
GS30694	1 1/4"	1	
GS30695	1 1/2"	1	
GS30696	2"	1	
GS30697	2 1/2"	1	
GS30698	3"	1	
GS30699	4"	1	

Fabricado en latón cromado y bola de acero inox con junta de teflón y maneta de aluminio.

Chromed brass case, stainless steel ball and metal handle.

In ottone cromato e leva in acciaio inox, maniglia in alluminio.



REF			
GS30010	3/8"	1	
GS30011	1/2"	1	
GS30012	3/4"	1	
GS30013	1"	1	
GS30014	1 1/4"	1	
GS30015	1 1/2"	1	
GS30016	2"	1	
GS30017	2 1/2"	1	

GOLDENSHIP

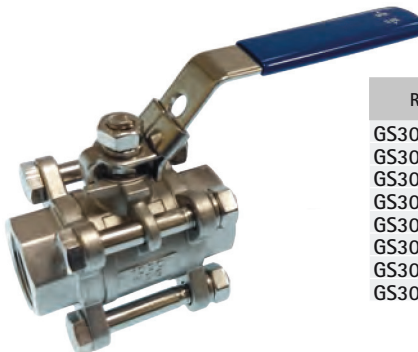
Fabricado en acero inox AISI-316.

Made in stainless steel AISI-316.

In acciaio inox AISI-316



REF			
GS30001	3/8"	1	
GS30002	1/2"	1	
GS30003	3/4"	1	
GS30004	1"	1	
GS30005	1 1/4"	1	
GS30006	1 1/2"	1	
GS30007	2"	1	
GS30008	2 1/2"	1	
GS30009	3"	1	



REF			
GS30060	3/4"	1	
GS30061	1"	1	
GS30062	1 1/4"	1	
GS30063	1 1/2"	1	
GS30064	2"	1	
GS30065	2 1/2"	1	
GS30066	3"	1	
GS30067	4"	1	

VÁLVULA DE BOLA 3 VÍAS
BALL VALVE 3 WAYS
VALVOLA A SFERA DEVIATRICE



Válvula de tres vías tipo «L»
 Fabricado en acero inox AISI-316.

3 way valves Type «L».
 Made in stainless steel AISI-316.

Valvola a «L»
 In acciaio inox AISI-316



REF		
GS30030	1/2"	1
GS30031	3/4"	1
GS30032	1"	1
GS30033	1 1/4"	1
GS30034	1 1/2"	1
GS30035	2"	1

MANETA VÁLVULA
HANDLE
LEVA RICAMBIO VALVOLA



Maneta de acero inox.
 Recambio para las válvulas de bola de bronce cromado.

Stainless steel handle.
 Spare part for chromed brass valves.

Leva in acciaio inox.
 Ricambi per le valvole a sfera in bronzo.



REF		
GS30046	1/2" - 3/4"	1
GS30047	1" - 1 1/4"	1
GS30048	1 1/2" - 2"	1
GS30049	2 1/2"	1

ENTRONQUE • NIPPLE • PORTAGOMMA

ENTRONQUE MACHO
MALE HOSE ADAPTER
PORTAGOMMA MASCHIO

Fabricado en Bronce Naval
 Made in naval Bronze.
 In Bronzo navale

REF			
GS30680	3/4"	20	1
GS30681	1"	25	1
GS30682	1"	30	1
GS30683	1 1/4"	30	1
GS30684	1 1/4"	35	1
GS30685	1 1/4"	38	1
GS30686	1 1/2"	38	1
GS30687	1 1/2"	45	1
GS30688	2"	50	1

Fabricado en acero inox AISI-316.
 Made in stainless steel AISI-316.
 In acciaio inox AISI-316.

REF			
GS30222	3/8"	15 mm	2
GS30223	1/2"	15 mm	2
GS30224	1/2"	20 mm	1
GS30225	3/4"	20 mm	1
GS30226	3/4"	25 mm	1
GS30227	1"	25 mm	1
GS30228	1"	30 mm	1
GS30229	1 1/4"	35 mm	1
GS30230	1 1/4"	40 mm	1
GS30231	1 1/2"	40 mm	1
GS30232	1 1/2"	45 mm	1
GS30233	2"	50 mm	1
GS30234	2"	60 mm	1
GS30235	2 1/2"	70 mm	1
GS30236	3"	78 mm	1

Fabricado en latón.
 Manufactured in brass.
 In ottone.

REF			
GS30108	1/4"	8 mm	2
GS30109	1/4"	10 mm	2
GS30110	3/8"	10 mm	2
GS30100	3/8"	13 mm	2
GS30101	1/2"	17 mm	2
GS30102	3/4"	22 mm	1
GS30103	1"	29 mm	1
GS30118	1"	32 mm	1
GS30119	1 1/4"	32 mm	1
GS30104	1 1/4"	34 mm	1
GS30105	1 1/2"	45 mm	1
GS30106	2"	59 mm	1
GS30107	3"	75 mm	1

Para inodoros.
 For WC.
 Per WC.

REF			
GS30120	3/4"	20 mm	1
GS30121	1 1/4"	40 mm	1
GS30122	1 1/2"	40 mm	1
GS30123	1 1/2"	38 mm	1

Fabricado en poliamida.
 Made in polyamide.
 In nylon.

REF			
GS30130	3/8"	12 mm	2
GS30131	1/2"	12 mm	2
GS30132	1/2"	16 mm	1
GS30133	3/4"	19 mm	1
GS30134	1"	25 mm	1

REF			
GS30252	3/8"	16 - 18 mm	1

Fabricado en polipropileno.
 Made in polypropylene.
 In polipropilene.

REF			
GS30250	3/4"	25 mm	1
GS30251	1 1/2"	38 mm	1
GS30253	1 1/2"	50 mm	1

Fabricado en plástico reforzado.
 Made in glass filled polymer.
 In plastica rinforzata.

REF			
THMS-3A1234	1/2"	19 mm	1
THMS-3A34	3/4"	19 mm	1
THMS-3A10034	1"	19 mm	1
THMS3A11434	1 1/4"	19 mm	1