

U PONUDI IMA DIJELOVE ZA: FILTROS RACOR

RACORS Y ACCESORIOS - Racors & accessories

RACOR 90° RACOR 90°

Fabricado en latón. Para filtros RACOR.
Made in machined brass. For RACOR filters.



Ref.	Rosca/Thread	Mang./Hose	Para filtros / For filters
RAC913-O10-H10	CODO 7/8" - 14	5/8" = 16 mm	900 & 1000MA30
RAC913-O10-H8	CODO 7/8" - 14	1/2" = 13 mm	900 & 1000MA30
RAC913-O8-H6	CODO 3/4" - 16	3/8" = 10 mm	500MA30
RAC913-O8-H8	CODO 3/4" - 16	1/2" = 13 mm	500MA30

RACOR MANGUERA MALE HOSE ADAPTER

Construidos en latón.
Male. Manufactured in brass.



Ref.	Manguera Hose	Rosca NPT Thread NPT
BRA125-3/16x1/4	3/16"	1/4"
BRA125-1/4x1/4	1/4"	1/4"
BRA125-1/4x3/8	1/4"	3/8"
BRA125-1/4x1/2	1/4"	1/2"
BRA125-5/16x3/8	5/16"	3/8"
BRA125-3/8x3/8	3/8"	3/8"
BRA125-3/8x1/2	3/8"	1/2"
BRA125-1/2x3/8	1/2"	3/8"
BRA125-1/2x1/2	1/2"	1/2"
BRA125-1/2x3/4	1/2"	3/4"
BRA125-5/8x3/8	5/8"	3/8"
BRA125-5/8x1/2	5/8"	1/2"
BRA125-5/8x3/4	5/8"	3/4"
BRA125-3/4x1/2	3/4"	1/2"
BRA125-3/4x3/4	3/4"	3/4"
BRA125-1x3/4	1"	3/4"

RACOR MACHO/HEMBRA RACOR MALE/FEMALE

Fabricado en latón.
Para filtros RACOR 500-900-1000
Made in machined brass.
For RACOR filters 500-900-1000



Ref.	Macho/Male	Hembra/Female
RAC1/2F-1/2M	7/8" NPT	1/2"
RAC3/8F-3/8M	3/4" NPT	3/8"

RACOR MANGUERA MALE HOSE ADAPTER

Fabricado en latón.
Para filtros RACOR 500-900-1000
Made in machined brass.
For RACOR filters 500-900-1000



Ref.	Rosca Thread	Manguera Hose	Envase Pack
RAC1/2X16	1/2"	16 mm	1 x bolsa/bag
RAC1/2X18	1/2"	18 mm	1 x bolsa/bag
RAC1/2X20	1/2"	20 mm	1 x bolsa/bag
RAC3/8X10	3/8"	10 mm	1 x bolsa/bag
RAC3/8X12	3/8"	12 mm	1 x bolsa/bag
RAC3/8X14	3/8"	14 mm	1 x bolsa/bag

RACRK21069

SENSOR AGUA
Sólo para filtros Diesel.
No utilizar con gasolina.
Water sensor
Only for diesel applications.
Do not use with gasoline.



RACRK19492UL

VÁLVULA DRENAJE AGUA
UL Listed drain valve



RACRK20726

RELOJ SENSOR AGUA
Water alarm



RAC1606B

MANOMETRO
Vacumm gauge



ELEMENTO para Separ 2000

Cartucho Par para adaptar al filtro Separ 2000/10
Gasoline filter. Fits filter Separ 2000/10

RACPFF5600 R.O. Separ 01010
RACPFF5601 R.O. Separ 01030



FILTROS GASOLINA - Gas engines filters



Modelo / Model	RAC120R-RAC-01	RAC320R-RAC-01	RAC320R-INOX-01	RAC320R-RAC-02	RAC320R-INOX-02
Flujo máximo / Max. flow	114 lph / 30 gph	340 lph / 60 gph	340 lph / 60 gph	340 lph / 60 gph	340 lph / 60 gph
Elemento / Element	RACS3240	RACS3213	RACS3213	RACS3220UL	RACS3220UL
Cazoleta transparente / Clear bowl	Si / Yes	Si / Yes	Si / Yes	No	No
Roscas centrales / Central threads	M18 x 1.5	1 - 14	1 - 14	1 - 14	1 - 14
Tamaño rosca cabeza / Head port size	1/4-18 NPTF	1/4-18 NPTF	1/4-18 NPTF	1/4-18 NPTF	1/4-18 NPTF
Altura / Height	166 mm	238 mm	238 mm	238 mm	238 mm
Ancho / Width	81 mm	102 mm	102 mm	102 mm	102 mm
Profundidad / Depth	81 mm	102 mm	102 mm	102 mm	102 mm
Peso / Weight	0.5 Kg	0.9 Kg	0.90 Kg	0.90 Kg	0.9 Kg
Caida de presión / Pressure drop	0.15 PSI / 0.01 bar	0.61 PSI / 0.04 bar	0.61 PSI / 0.04 bar	0.61 PSI / 0.04 bar	0.61 PSI / 0.04 bar
Presión máxima (1) / Max. pressure	7 PSI / 0.5 bar	7 PSI / 0.5 bar	7 PSI / 0.5 bar	7 PSI / 0.5 bar	7 PSI / 0.5 bar
Desmontaje cartucho-cazoleta / Element removal underbowl	25.4 mm / 1"	25.4 mm / 1"	25.4 mm / 1"	25.4 mm / 1"	25.4 mm / 1"
Temp. trabajo / Operating temp.	----- -40° C + 124° C / -40° F + 255° F -----				

(1) Instalaciones de presión aplicables hasta el parametro escrito.
Pressure installations are applicable up to the maximum PSI shown.

Ahora ya se puede alargar la vida del motor y navegar más suavemente.
Las cazoletas transparentes sólo se recomienda para las aplicaciones fueraborda.
Now you can enlarge your engine life and sail smoother. Clear bowls are recommended just for outboards.

ELEMENTOS DE RECAMBIO



RACS3240

ELEMENTO para filtros RAC120R-RAC-01
Element for filters RAC120R-RAC-01

RACS3227

ELEMENTO para filtros originales Yamaha-Suzuki.
Element for original filters Yamaha & Suzuki.
R.O. / OEM : YMM-2E27-00

RACS3213

ELEMENTO para filtros RAC320R-RAC-01 y RAC320R-RAC-01INOX.
Element for filters RAC320R-RAC-01 and RAC120R-RAC-01INOX.

RACS3214

ELEMENTO para filtros originales Reemplaza Johnson & Evinrude
Element for filters. Replaces Johnson & Evinrude.

RACS3228UL

ELEMENTO para filtros RAC320R-RAC-02, con bracket RACOR.
Element for filters RAC320R-RAC-02, with bracket RACOR.

RACS3220UL

ELEMENTO para filtros RAC320R-RAC-02 y RAC320R-RAC-02INOX.
Element for filters RAC320R-RAC-02 and RAC120R-RAC-02INOX.

RACPF5510

Filtro de gasolina. Reemplaza la mayoría de filtros de MCM y VOLVO
Gasoline filter. Replaces most of MCM & VOLVO filters.



RACORS

Rosca Thread: 1/4" NPT.
Para filtros/For fuel filters:
RAC120R-RAC-01,
RAC320R-RAC-01,
RAC320R-RAC-02

Ref.

GS31166	Codo/Elbow 90° = 5/16"
GS31065	Codo/Elbow 90° = 3/8"
GS31066	Recto/Straight = 5/16"
GS31067	Recto/Straight = 3/8"



Envase/Pack

2 x skinpack
2 x skinpack
2 x skinpack
2 x skinpack

U PONUDI IMA DIJELOVE ZA: FILTROS RACOR

FILTROS DIESEL - Diesel engines filters



Modelo - Model	RAC110A	RAC120AS	RAC230R2	RAC245R2	RAC460R2	RAC490R2
Flujo máximo Max. flow	15 gph 57 lph	15 gph 57 lph	30 gph 114 lph	45 gph 170 lph	60 gph 227 lph	90 gph 341 lph
Diesel ó gasolina Diesel or gas	Ambos both	Ambos both	Diesel	Diesel	Diesel	Diesel
Instalación vacuometro Vacuum Installation	Si / yes	Si / yes	Si / yes	Si / yes	Si / yes	Si / yes
Instalación presión Pressure installation	Si / yes	Si / yes	Si / yes	Si / yes	Si / yes	Si / yes
Presión máxima (1) Max. pressure	100 PSI	7 PSI	30 PSI	30 PSI	30 PSI	30 PSI
Presión caída Clean pressure drop	0.15 PSI 0,01 bar	0.15 PSI 0,01 bar	0.31 PSI 0,02 bar	0.61 PSI 0,04 bar	0.39 PSI 0,03 bar	0,95 PSI 0,06 bar
Tamaño entrada inlet size	1/4" NPT	1/4" NPT	1/4" NPT	1/4" NPT	3/8" NPT	3/8" NPT
Bomba de cebado (2) Primer pump	No	No	Si / yes	Si / yes	Si / yes	Si / yes
Elemento (3) Element Cazoleta transparente Clear bowl	RACR11T	RACR12	RACR20	RACR25	RACR60	RACR90
Nº de tomas # of ports	No	Si / yes	Si / yes	Si / yes	Si / yes	Si / yes
Tipo drenaje Drain type	4	4	3	3	4	4
Sello positivo Positive seal	Sello positivo Positive seal	Sello positivo Positive seal	Sello positivo Positive seal	Sello positivo Positive seal	Sello positivo Positive seal	Sello positivo Positive seal
Opción sensor agua Water sensor option	No	Si / yes	Si / yes	Si / yes	Si / yes	Si / yes
Altura Height	152 mm	165 mm	229 mm	267 mm	279 mm	300 mm
Ancho Width	81 mm	81 mm	102 mm	102 mm	114 mm	114 mm
Profundidad Depth	81 mm	81 mm	102 mm	102 mm	121 mm	121 mm
Peso Weight	0.59 Kg	0.59 Kg	0.90 Kg	1.0 Kg	1,3 Kg	1,4 Kg

(1) Instalaciones de presión aplicables hasta el parámetro escrito.

Pressure installations are applicable up to the maximum PSI shown

(2) Los modelos con bomba de cebado no son recomendados para aplicaciones a gasolina.

Models with integral primer pumps are not recommended for gasoline applications

ELEMENTOS DE RECAMBIO

RACR11T 10 micras

RACR12S 2 micras

RACR12T 10 micras

RACR12P 30 micras



RACR20S 2 micras

RACR20T 10 micras

RACR20P 30 micras

RACR26S 2 micras

RACR26T 10 micras

RACR26P 30 micras

RACR24S 2 micras

RACR24T 10 micras

RACR24P 30 micras

RACR60S 2 micras

RACR60T 10 micras

RACR60P 30 micras

RACR25S 2 micras

RACR25T 10 micras

RACR25P 30 micras

RACR90S 2 micras

RACR90T 10 micras

RACR90P 30 micras



Codo / Elbow 90°

Ref.	Rosca/Thread	Mang./Hose	Envase/Pack
GS31065	1/4" NPT	3/8" = 9,5 mm	2 x skinpack
GS31166	1/4" NPT	5/16" = 7,9 mm	2 x skinpack
GS31155	3/8" NPT	3/8" = 9,5 mm	2 x skinpack
GS31156	3/8" NPT	5/16" = 7,9 mm	2 x skinpack
GS31157	3/8" NPT	1/4" = 6,4 mm	2 x skinpack

Recto / Straight

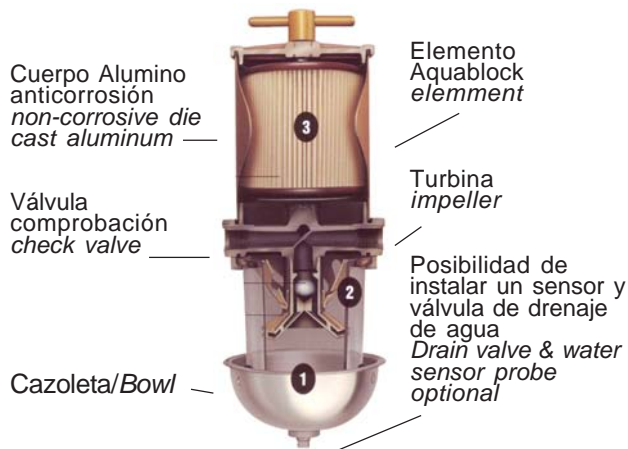
Ref.	Rosca/Thread	Mang./Hose	Envase/Pack
GS31066	1/4" NPT	5/16" = 7,9 mm	2 x skinpack
GS31067	1/4" NPT	3/8" = 9,5 mm	2 x skinpack

FILTROS DIESEL - Diesel filters

Tipo turbina - Impeller type

Cuando un motor necesita un elemento de gran capacidad de separación de agua y filtración de combustible, los tipo turbina son los más completos, eficientes y fiables para la protección del motor que usted puede montar.

When engines demand heavy duty, high capacity water separation and fuel filtration, impeller type is the most complete, efficient and reliable engine protection you can install.



FILTROS CON CAZOLETA y ELEMENTOS
Bowl filters & elements

RACOR[®]



Modelo <i>model</i>	RAC500MA30	RAC900MA30	RAC1000MA30	RAC75/500MAX	RAC75/1000MA30
<i>Max flow</i>	60 gph	90 gph	180 gph	120 gph	180 / 360 gph
<i>Flujo máximo</i>	227 lph	341 lph	681 lph	454 l/h	681 / 1363 lph
<i>Altura / height</i>	292 mm	432 mm	559 mm	292 mm	559 mm
<i>Ancho / width</i>	147 mm	152 mm	152 mm	368 mm	476 mm
<i>Profundidad</i>	122 mm	178 mm	178 mm	241 mm	279 mm
<i>Depth</i>	4.8"	7"	7"	9.5"	11"
<i>Peso / weight</i>	2 Kg	3 Kg	5 Kg	7,7 kg	13,6 kg
<i>Caida presión</i>	0.61 PSI	0.34 PSI	0.49 PSI	0,70 PSI	3,7 PSI
<i>Pressu. drop</i>	0,04 bar	0,02 bar	0,03 bar	0,05 bar	0,25 bar
<i>Presión max</i>	15 PSI	15 PSI	15 PSI	15 PSI	15 PSI
<i>Max. pressure</i>	1 bar	1 bar	1 bar	1 bar	1 bar
<i>Elemento / Elm</i>	2010	2040	2020	2010	2020
<i>Altura clean.</i>	102 mm	127 mm	254 mm	102 mm	254 mm

ELEMENTOS DE RECAMBIO

Modelo <i>mod</i>	500	900	1000
2 Micras	RAC2010SM-OR	RAC2040SM-OR	RAC2020SM-OR
10 Micras	RAC2010TM-OR	RAC2040TM-OR	RAC2020TM-OR
30 Micras	RAC2010PM-OR	RAC2040PM-OR	RAC2020PM-OR

S- Secundario 2 micras tapa marrón / *Secondary Final 2 micron (brown end cap)*

T- Primario ó secundario/final 10 micras tapa azul / *Primary or secondary final 10 micron (blue end cap)*

P-Primario 30 micras tapa roja / *Primary 30 micron (red end cap)*

