

BOMBA DE ACEITE • OIL PUMP • POMPE OLIO

BOMBA DE ACEITE ELÉCTRICA ELECTRIC OIL PUMP POMPA DELL'OLIO ELETRICA

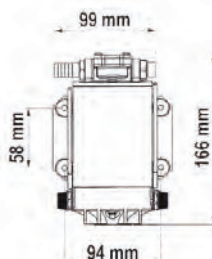
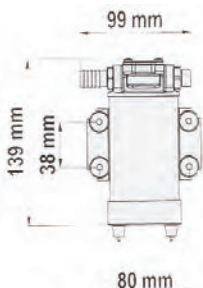
Cuerpo de bomba de latón niquelado, engranajes de bronce y eje de acero inox. Incluyen un kit de tubos reductores 8/6 y 6/4 mm. Autoaspirante hasta 2 m. Motor de imanes permanentes con escobillas. Protección IP55.

Body brass with bronze gear pump, for transfer of lubricating oils or viscous liquids. Stainless steel shaft and rubber lip seal. Includes a kit of tubes 8 and 6 mm.

Corpo pompa in ottone nichelato, ingranaggi in bronzo e asse in acciaio inox. Include un kit di tubi riduttori 8/6 e 6/4mm. Autoaspirante fino a 2m. Protezione IP55.

REF	🌊			⚡	🔌	🕒
	6 mm	8 mm	12 mm			
GS20174	20 l/h	60 l/h	330 l/h	12 V (6,5 A)	7,5 A	2 bar
GS20175	20 l/h	60 l/h	330 l/h	24 V (3,5 A)	4 A	2 bar
GS20176	25 l/h	75 l/h	480 l/h	12 V (8,5 A)	7,5 A	2 bar
GS20177	25 l/h	75 l/h	480 l/h	24 V (4,5 A)	4 A	2 bar

MARCO



GS20176
GS20177

Equipado con panel electrónico que garantiza la reversibilidad del flujo, la velocidad variable del motor de acuerdo con la viscosidad del líquido. Completo con todos los accesorios necesarios.

Reversible: draws and fills oil. Complete with bronze gear pump, clips, fuse hoses and accessories for transferring operations. Available also with electronic control panel and 12/24V universal voltage.

Attrezzature con pannello elettronico che garantisce la reversibilità del flusso, la velocità variabile del motore con la viscosità del liquido. Completo con tutti gli accessori necessari.

REF	🌊	⚡	🔌
GS20172	15 l/min	12 / 24 V (6 A)	10 A

MARCO



Bomba de engranajes para trasvase de aceites, gasoil y lubricantes. Cuerpo de bomba de latón, engranajes de bronce y eje de acero inox. Autoaspirante hasta 3 m.

Body brass with bronze gear pump, for transfer of lubricating oils or viscous liquids. Stainless steel shaft and rubber lip seal.

Pompa di ingranaggi per il travaso dell'olio, gasolio e lubrificanti. Corpo pompa in ottone, ingranaggi in bronzo e asse in acciaio inox. Autoaspirante fino a 3m

REF	🌊	⚡	🔌	📏
SFGP103200301	12 l/min 3,2 GPM	12 V (7 A)	10 A	215 x 135 x 110 mm
SFGP203200301	12 l/min 3,2 GPM	24 V (4 A)	6 A	215 x 135 x 110 mm

SEAFLO



Con soporte y asa de transporte. Incluye interruptor ON/OFF en soporte. Cable con fusible integrado y pinzas para batería.

Self priming electric pump with bronze gears for diesel transfer. Featuring a new case with handle for protection and easy transport. Completed by On/Off switch, cable with integrated fuse and battery clips.

Con supporto e maniglia per trasporto. Include interruttore ON/OFF nel supporto. Cavi con fusibile integrato e pinze per batteria.

REF	🌊	⚡	🔌
GS20179	15 l/min	12 V (5,6 A)	10 A

MARCO



Porta escobillas en metal. Flujo reversible. Cuerpo en latón niquelado. Engranajes helicoidales en bronce. Eje en acero inox. AISI 316. INTERRUPTOR INTEGRADO

Easy to operate and carry. Complete with bronze gears pump, clips, fuse, hoses and accessories for transfer operations. Available also with electronic control panel and 12/24V universal voltage.

Porta spazzole in metallo. Flusso reversibile. Corpo in ottone nichelato. Ingranaggi elicoidali in bronzo. Asse in acciaio inox AISI 316. Interruttore integrato.

REF	R.O. OEM R.O.	🌊	⚡	🕒
GS20182	164 932 12	330 l/h	12 V	2 bar
GS20183	164 932 13	330 l/h	24 V	2 bar

MARCO





Bomba reversible, para cambio de aceite instalada sobre un bidón portátil de 13 l con mangueras de extracción y 2,5 m de cable eléctrico con pinzas.

Reversible pump kit for oil change, winterizing and liquid transfer. Hose kit and 3,5 gal. storage container.

Pompa reversibile, per cambio dell'olio installata sopra un bidone portatile da 13 l con tubo di estrazione e 2,5 m di cavo elettrico con pinze.

REF			
SH8050-305-426	14,1 l/min	12 V (4,7 A)	403 x 318 mm

SHURflo



**BOMBA DE ACEITE MANUAL
MANUAL OIL PUMP
POMPA DELL'OLIO MANUALE**

Incluye 3 tubos de Ø 9,8, 6,7 y 5.8 mm. Temperatura máxima 100°C. Cuando está lleno se para automáticamente.

With 3 tubes: Ø 9.8, 6.7 & 5.8 mm. Maximum temperature 100 °C. When full it automatically stops.

Include tubi da: Ø 9.8, 6.7 e 5.8 mm. Temperatura massima 100 °C. Quando pieno arresta automaticamente.

REF			
GS20080	4 L	2.1 kg	496 x 204 mm
GS20081	6 L	2.4 kg	648 x 204 mm
GS20082	18 L	4.9 kg	700 x 350 mm

GOLDENSHIP



REF	
GS20084	7 L
GS20085	9 L

GOLDENSHIP

GS20084 GS20085

Agua, diesel, keroseno, aceite mineral, lubricante, gasolina, disolventes orgánicos, detergentes, químicos, acetona... Equipado con función de filtro. Función de operación del sifón.

Water, diesel, keroseno, mineral oil, lubricant, gasoline, organic solvent, detergent, chemicals, acetone... Equipped with filter function. Siphon operation function.

Acqua, gasolio, kerosene, oli minerali, lubrificanti, benzina, solvente organico, detergenti, prodotti chimici, acetone... Dotato di funzione di filtro. Sifone funzione di funzionamento.

REF		
GS20083	200 ml	0.8 kg

GOLDENSHIP





Bomba extractora o trasvase de líquidos. Se acopla a los taladros eléctricos con portabrocas de 6 mm. Incluye manguera y tubo para aceite.

Ideal for pumping water or oils. Includes 2,4 m hose. Drill shaft: 6 mm.

Pompa estraitrice o per trasvado di liquidi. Include tubo da 2,4m.

Cuerpo de PVC y latón. Tubos de nylon flexible.

Made of solid brass and PVC.

Corpo in PVC e ottone. Tubo in nylon flessibile.

REF	Icon
SH3010-000	760 l/h 200GPH

SHURflo



REF
GS20151

GOLDENSHIP



BOMBA DE COMBUSTIBLE • DIESEL PUMP • POMPE GASOLIO

Para el trasvase de gasoil, agua, aceites, etc. Cuerpo de bomba de latón. Engranajes de bronce y eje de acero inox. Filtro incorporado. Autoaspirante hasta 1,5 m. Motor de imanes permanentes con escobillas. Protección IP55.

Self priming electric pump with bronze gears for transfer liquids. Complete with in-line filter. Brass body with stainless steel shaft and rubber lip seal.

Per il trasvado di gasolio, acqua, benzina etc. Corpo pompa in ottone. Ingranaggi in bronzo e asse in acciaio inox. Filtro incorporato. Autoaspirante fino a 1,5m. Motore a magneti con spazzole. Protezione IP55

REF	R.O. OEM R.O.	Icon	Icon	Icon	Icon	Icon
GS20195	164 300 12	36 l/min	12 V	2,5 bar	1/2" BSP	16 mm
GS20196	164 300 13	36 l/min	24 V	2,5 bar	1/2" BSP	16 mm
GS20197	164 500 12	46 l/min	12 V	2 bar	1/2" BSP	16 mm
GS20213	164 500 13	46 l/min	24 V	2 bar	1/2" BSP	16 mm
GS20214	164 540 1C	44 l/min	220 V	4 bar	1/2" BSP	16 mm

MARCO



GS20197
GS20213



GS20214



GS20195
GS20196

REF	R.O. OEM R.O.	Icon	Icon	Icon	Icon	Icon
GS20170	164 060 12	26 l/min	12 V (11 A)	2 bar	1/2" BSP	16 mm
GS20171	164 060 13	26 l/min	24 V (5,5 A)	2 bar	1/2" BSP	16 mm
Con interruptor integrado With switch Con interruttore integrato						
GS20180	164 008 12	15 l/min	12 V	2 bar	1/2" BSP	16 mm
GS20181	164 008 13	15 l/min	24 V	2 bar	1/2" BSP	16 mm

MARCO



GS20170
GS20171



GS20180
GS20181

BOMBA DE AGUA • WATER PUMP • POMPE ACQUA

Bomba de bronce y eje de acero inox AISI 316, para transferir líquidos libres de impurezas sólidas, como agua dulce, agua de mar, gasoil, aceites, etc. Reversible. Autoaspirante hasta 6 m.

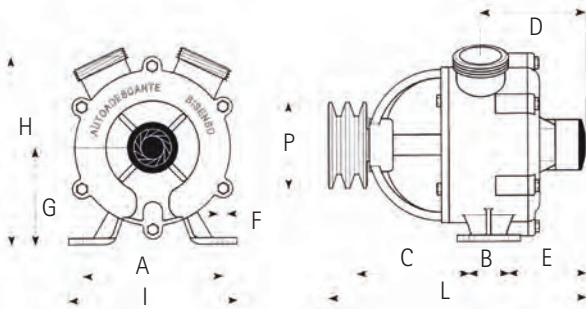
Bidirectional self priming pump with side liquid ring, widely used as bilge pump and transfer liquids such as fresh water, sea water, gas-oil, etc. Pump body and impeller in bronze. Shaft in Stainless Steel AISI 316.

Pompa in bronzo e asse in acciaio inox AISI316, per trasferire liquidi come acqua dolce, acqua del mare, benzina, gasolio etc. Reversible. Autoaspirante fino a 6m.

BOMBA MECÁNICA DE BRONCE WATER PUMP IN BRONZE POMPA MECCANICA IN BRONZO

REF	Ø	Flow (l/m)							
		0 m	5 m	10 m	12 m	15 m	20 m		
GS20200	25 mm	60	50	25	15	8	0		
GS20201	30 mm	75	60	40	30	15	0		
GS20202	40 mm	120	110	85	80	55	25		
GS20203	50 mm	230	210	175	155	140	100		
GS20204	70 mm	500	450	370	340	300	180		

GOLDENSHIP

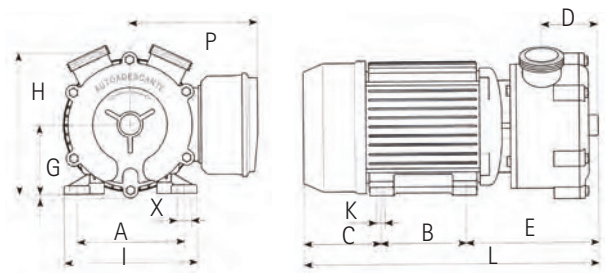


REF	A	B	C	D	E	F	G	H	I	L	P
GS20200	119	25	80	80	68	6,75	63	116	140	195	1A x70
GS20201	130	28	103	85	70	9	90	175	157	218	1A x70
GS20202	130	37	108	105	76	9	90	175	157	245	2A x80
GS20203	160	40	138	125	91	11	120	225	188	298	2A x80
GS20204	184	57	140	140	110	13	128	231	260	269	2Bx149

BOMBA ELÉCTRICA DE BRONCE ELECTRIC PUMP IN BRONZE POMPA ELETTRICA IN BRONZO

REF	Flow (l/m)	Voltage (V)	Current (A)	Ø (mm)	Flow (l/m)							
					0 m	5 m	8 m	10 m	12 m	15 m	20 m	
GS20220	25 l/m	12 V	(26 A)	20	25	18	9	0	0	0	0	
GS20221	25 l/m	24 V	(14 A)	20	25	18	9	0	0	0		
GS20222	53 l/m	12 V	(38 A)	25	53	37	19	10	0	0		
GS20223	53 l/m	24 V	(22 A)	25	53	37	19	10	0	0		
GS20224	75 l/m	24 V	(24 A)	30	75	60	48	40	30	15		
GS20225	120 l/m	24 V	(45 A)	40	120	110	95	85	80	55		

GOLDENSHIP



REF	A	B	C	D	E	G	H	I	K	L	P	X
GS20220	100	80	100	35	115	63	106	120	7	295	105	12
GS20221												
GS20222	112	90	103	40	127	71	124	136	8	320	110	12
GS20223												
GS20224	125	100	135	50	140	80	165	160	8	375	125	16
GS20225	140	125	185	67	180	90	175	175	10	490	130	17,5



**BOMBA DE AGUA
WATER PUMP
POMPA ACQUA**

Bomba de achique y servicio.
Cuerpo de bronce e impulsor flexible de goma.
Autoaspirante hasta 1,5 m.

Self priming pump used as bilge pump, wash down, etc.
Bronze body and rubber impeller.

Pompe sentina e servizio.
Corpo in bronzo e girante flessibile in gomma.
Autoaspirante fino a 1,5m.

REF				
GS20130	1.512 l/h 400 gph	12 V (8 A)	1/2"	3/4"



Bomba eléctrica de achique, baldeo, sistemas de agua dulce, etc.
Cuerpo de latón OT58, impulsor flexible de elastomero especial y eje de acero inox AISI-316.
Autoaspirante hasta 1,5 m.
Motor de imanes permanentes, porta-escobillas interno con filtro EMI.

Self priming water pump with self lubricated flexible impeller.
Brass body with stainless steel shaft and rubber lip seal.

Pompa elettrica di sentina, lavaggio, sistema di acqua dolce etc. Corpo in ottone OT58, girante flessibile di elastomero e asse in acciaio inox AISI316.
Autoaspirante fino a 1,5m.
Motore a magneti con porta spazzole interno con filtro EMI.
Non utilizzare per travasare benzina.

No utilizar en el trasvase de gasolina.

REF						
GS20154	28 l/min	12 V (8 A)	1 bar	3/8"	20 mm	152 x 95 x 82 mm
GS20160	35 l/min	12 V (11A)	1,2 bar	1/2"	25 mm	176 x 120 x 94 mm
GS20161	35 l/min	24 V (5,5A)	1,2 bar	1/2"	25 mm	176 x 120 x 94 mm
GS20156	45 l/min	12 V (14 A)	1,5 bar	1/2"	25 mm	194 x 120 x 98 mm
GS20157	45 l/min	24 V (7 A)	1,5 bar	1/2"	25 mm	194 x 120 x 98 mm

MARCO

- ISO 8849
- ISO 8846



Bomba eléctrica de achique, baldeo, sistemas de agua dulce, etc.
Cuerpo de latón, impulsor flexible de elastomero especial y eje de acero inox.
Autoaspirante hasta 2,5 m.

Self priming water pump with self lubricated flexible impeller.
Bronze body with stainless steel shaft and rubber lip seal.

Pompa elettrica di sentina, lavaggio, sistemi acqua dolce etc.
Corpo in ottone, girante flessibile in elastomero speciale e asse in acciaio inox.
Autoaspirante fino a 2,5m.

REF				
SFSP108000301	30 l/min 8 gpm	12 V (8 A)	10 A	1/2"
SFSP208000301	30 l/min 8 gpm	24 V (5 A)	7 A	1/2"



**IMPULSORES
IMPELLERS
GIRANTI**

REF	BOMBA PUMP POMPA		
SFSP1	SFSP108000301 SFSP208000301	SEAFLO	1
GS20191	GS20154	GOLDENSHIP MARCO	1
GS20162	GS20156 GS20157 GS20160 GS20161	GOLDENSHIP MARCO	1
GS20131	GS20130	GOLDENSHIP MARCO	1
GS20155	WATER PUPPY	JABSCO	1

